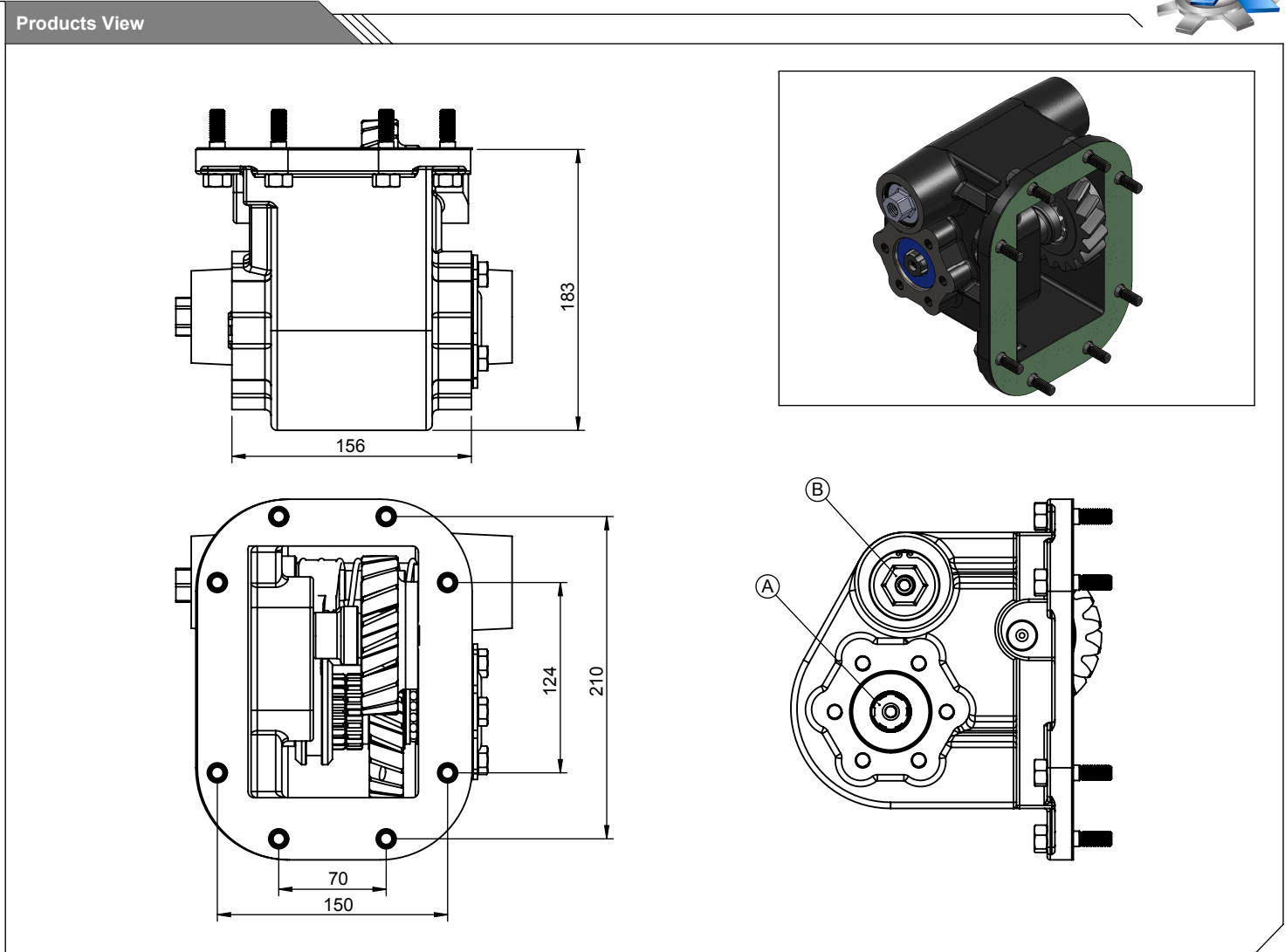


Vehicle Type	94 C 310-124 C 360-R 124 GB 360-124 G 360-143 H 450 CV-143 M 400 CV-260H -143H/P 113M-P114 GA 380-114P-124R-113P-114R-113H 360
Gearbox Type	GR 900 - GRH 900

Product Code	SCA.10.900.KF
---------------------	----------------------



Component Details	
A : PTO Output (Standard DIN 5463 6X21X25 UNI 3 Bolt) Direct mounting ISO 4 bolt mtg. adapter Drive flange	
B : Air Inlet R 1/4"	

Technical Details					
Power	Maximum Torque		Input/Output	Mounting Side	Control Type
	kW	Nm			
23,6	225	23	1/0.9	Right	Pneumatic
				Weight	Sense of Rotation
				18 kg	Opposite of Input



Ofis / Office
Tel. +90 312 354 05 39
Fax +90 312 354 34 59
7. Sokak No: 9
Ostim / ANKARA
e-mail: info@kozmaksan.com.tr

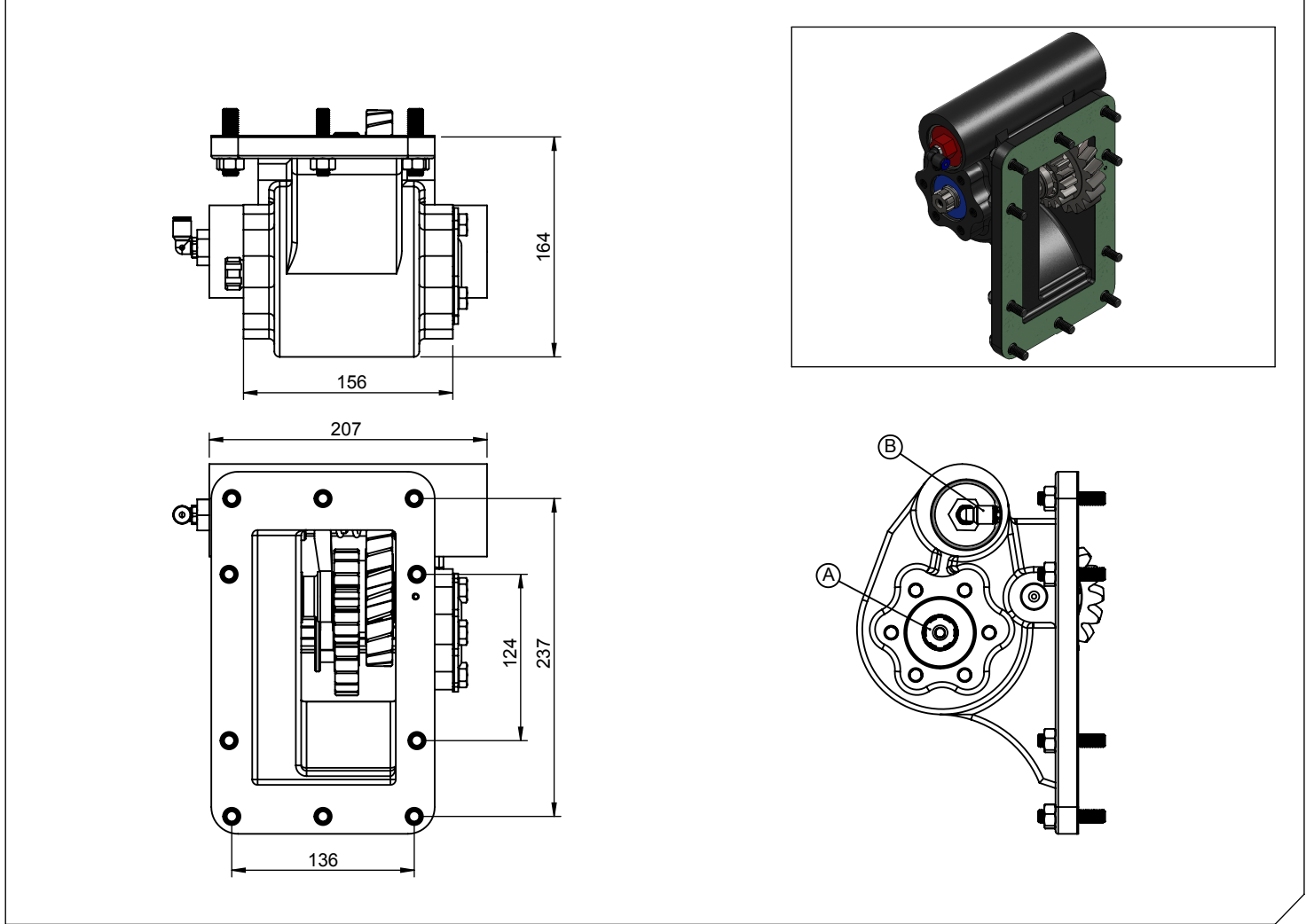
Fabrika / Factory
Tel. +90 312 267 39 71
Fax +90 312 267 38 72
AOS. 1. OSB. Erkunt Cad. No: 6
Sincan / ANKARA
Website: www.kozmaksan.com.tr

Vehicle Type	P92 - 93 - 111 - 112C - 113R - 114H - 142M - 144L - 93 H 280 - R 113M SCANIA
Gearbox Type	GR 870 - 871

Product Code	SCA.13.8701.KF
---------------------	-----------------------



Products Views



Component Details

A : PTO Output (Standard DIN 5463 6X21X25 UNI 3 Bolt)
 Direct mounting ISO 4 bolt mtg. adapter
 Drive flange
 B : Air Inlet R 1/4"

Technical Details

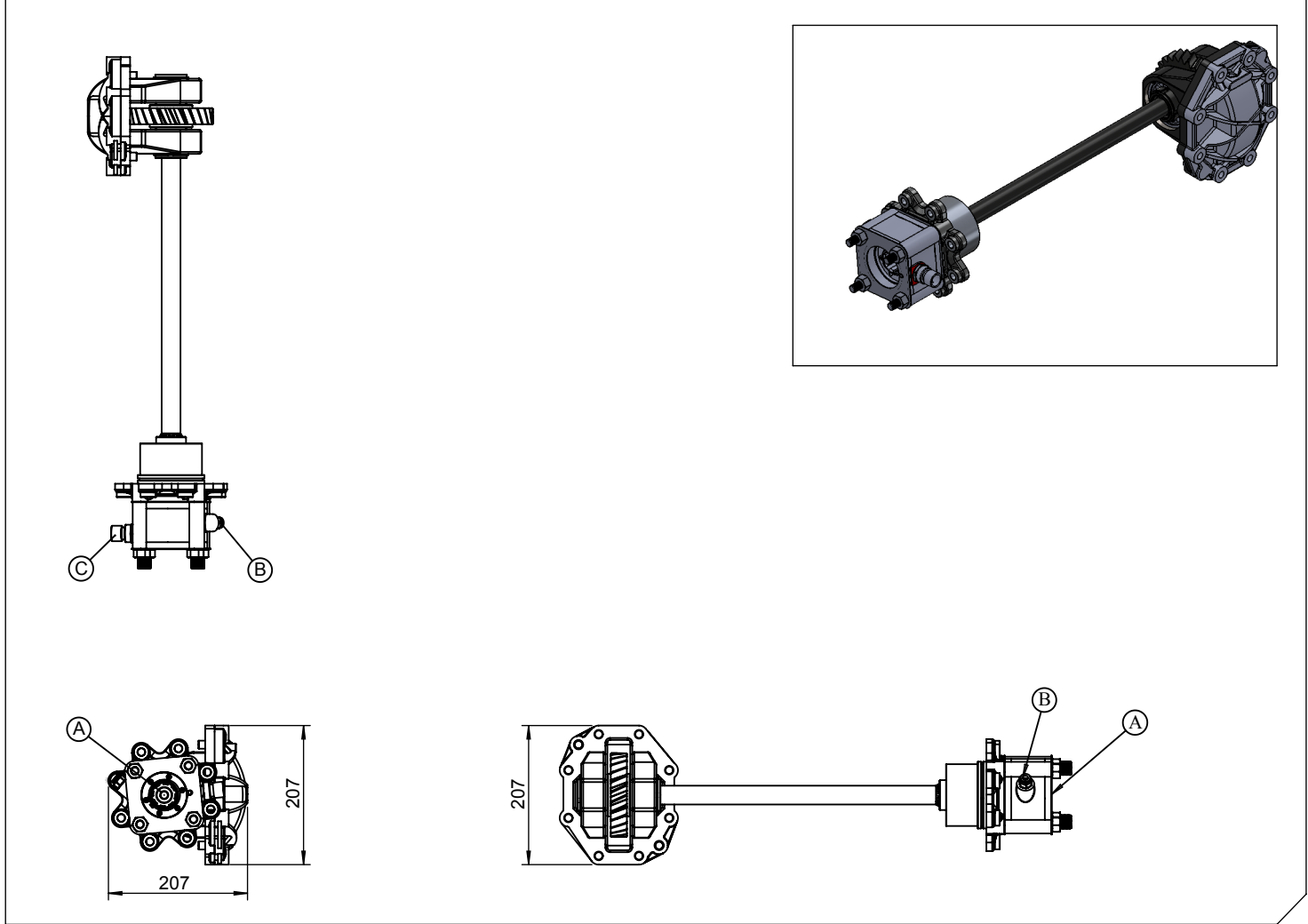
Power	Maximum Torque		Input/Output	Mounting Side	Control Type
	kW	Nm			
23,6	225	23	1/0.78	Right	Pneumatic
				Weight	Sense of Rotation
				16 kg	Opposite of Input

Vehicle Type	R420 SCANIA
Gearbox Type	GRS 895

Product Code	SCA.15.895
Revision No- Date	00 / 12.09.2017



Products Views



Component Details

A:PTO output : ISO 4 bolt
 Direct mounting UNI 3 bolt mtg. adapter
 Drive flange
 B:Air inlet R 1/4"
 C:Sensor (Ops.)

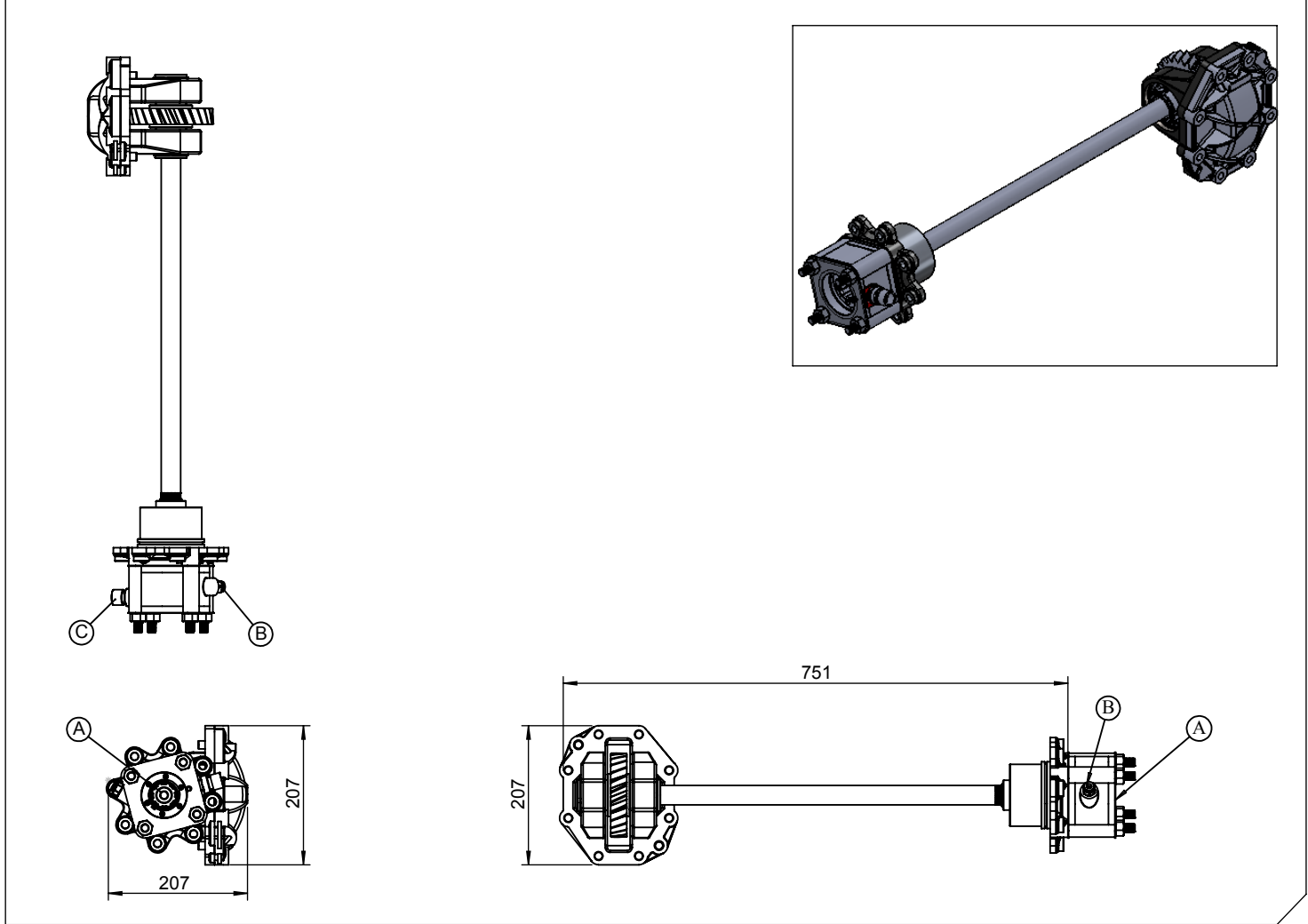
Technical Details

Power	Maximum Torque		Input/Output	Mounting Side	Control Type
	kW	Nm			
45.7	436	44.5	1/1	Right - Rear	Pneumatic
				Weight	Sense of Rotation
				15 kg	Same as Input

Araç Tipi Vehicle Type	R420 SCANIA
Şanzıman Tipi Gearbox Type	GR 875 / GR 905 / GRS905

Ürün Kodu / Product Code	SCA.15.905
Revizyon No-Tarih / Revision No- Date	01 / 29.12.2016

Ürün Görünümleri / Products View



Opsiyonlar / Options

<p>A:PTO Çıkışı : ISO 4 delikli Dişli pompaya akuple UNİ 3 delikli Kaplinli (flaş bağlantılı) B:Hava girişi R 1/4" C:Müşir (Ops.)</p>	<p>A:PTO output : ISO 4 bolt Direct mounting UNI 3 bolt mtg. adapter Drive flange B:Air inlet R 1/4" C:Sensor (Ops.)</p>
---	--

Teknik Bilgi / Technical Data

Güç / Power (Kw)	Maksimum Tork / Maximum Torque		Çevrim Oranı Ratio	Bağlantı Şekli Mounting Side	Kumanda Kontrol Control Type
	Nm	Kgm			
1000 Dev. / Dak.				SAĞ YAN - KUYRUK RIGHT SIDE-REAR	HAVALI/PNEUMATIC
45.7	436	44.5	1/1	Ağırlık / Weight (Kg)	Dönüş Yönü / Rotation Sense
				15	SOL/COUNTERCLOCKWISE(CCW)

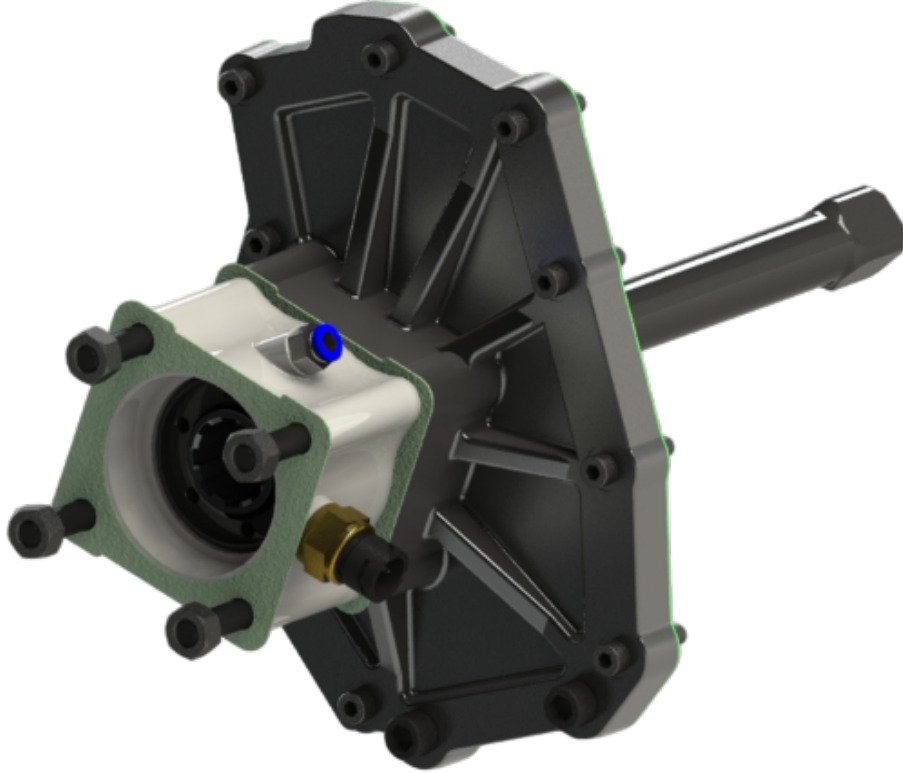


KOZANOĞLU KOZMAKSAN

Hidrolik Pompa ve Ara Şanzıman P.T.O. İmalat San. ve Tic. Ltd. Şti.
Hydraulic Pumps & Power Take-Offs Manufacturing Limited Co.

Ofis / Office
Tel. +90 312 354 05 39
Fax +90 312 354 34 59
7. Sokak No: 9
Ostim / ANKARA
e-mail: info@kozmaksan.com.tr

Fabrika / Factory
Tel. +90 312 267 39 71
Fax +90 312 267 38 72
AOS. 1. OSB. Erkunt Cad. No: 6
Sincan / ANKARA
Website: www.kozmaksan.com.tr



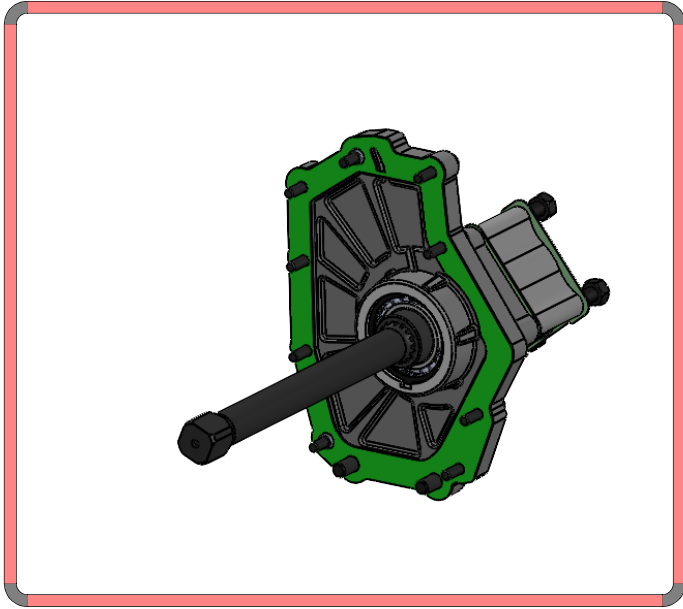
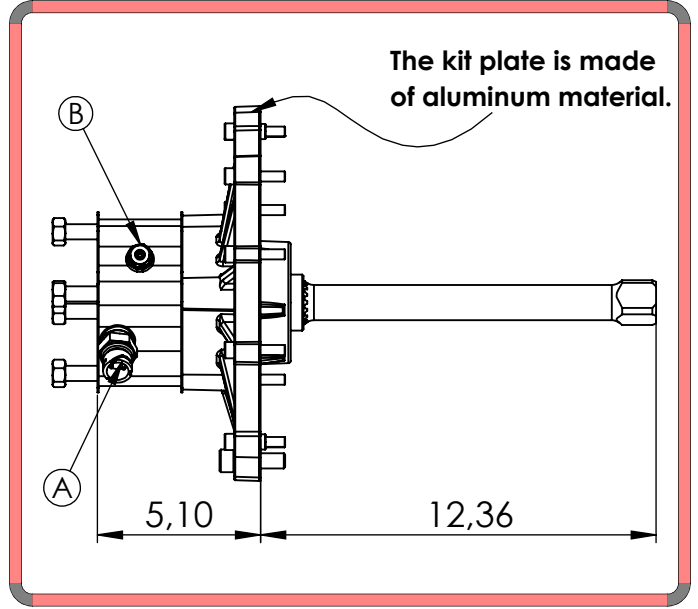
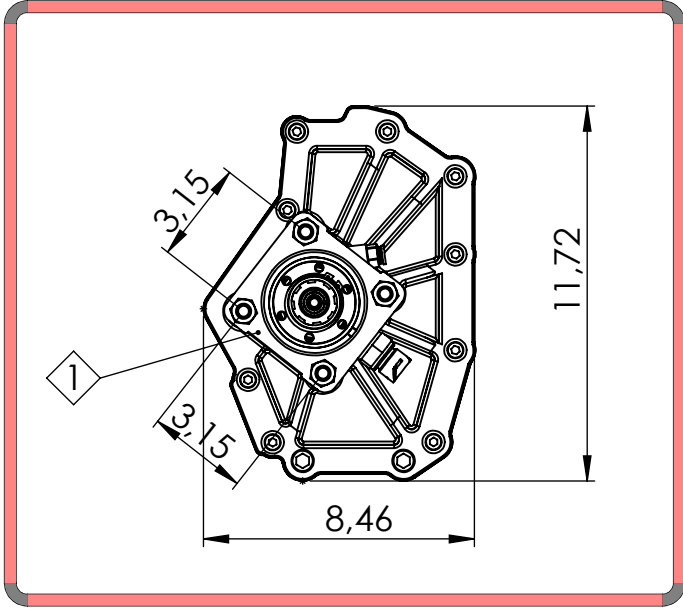
VEHICLE TYPE

Scania

TRANSMISSION CODE

G25CM-G33CM

This product is made to increase movement. PTO. PTO shaft moves from the main transmission and provides Motion transmission via a single axis. The incoming movement is transmitted to the PTO. PTO transmits the movement to the equipment used by the bodybuilder.



◇	ISO 4 Hole (DIN 5462) Output
Ⓐ	Enabled-Disabled Sensor
Ⓑ	Air Inlet

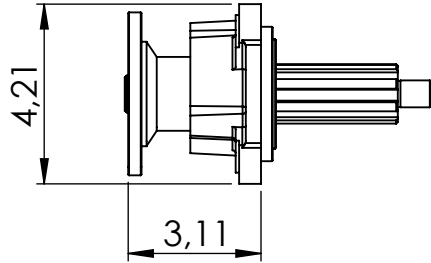
TECHNICAL VALUES

	MAX VALUES	RATIO	WORKING RPM RANGE (MAX)
①	42 Kw - 401Nm	1/1	

* Output Power ; The rpm and output power may vary. Contact Kozmaksan for exact working values.

Optimum Working Temperature	25-80°C	WEIGHT	7,5 kg / 16,50 lb
Short-term Working Temperature	80-90°C	BODY MATERIAL	GE G-AISI10Mg US A-360 TR Etial-171
Risky Working Temperature	OVER 90°C	OIL TYPE & AMOUNT	-

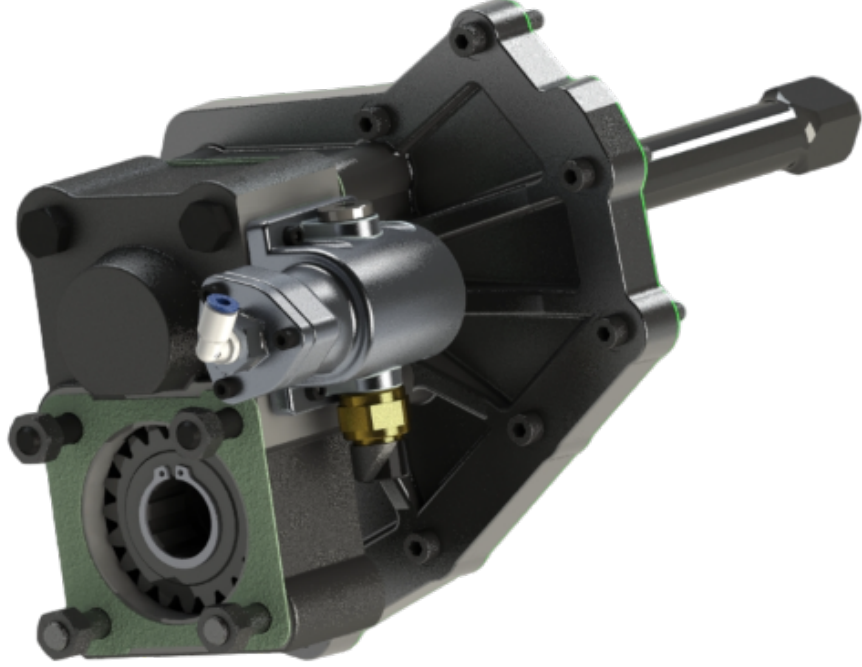
Output Options



KIT.55.04.UF

Connection Type	ISO-->UF
Kw - Nm Values	32 Kw - 305 Nm

C06-045	C06-076	C06-082
ISO 7647-SAE 1300x4x10	ISO 7646- 100x6x8	ISO 7647-SAE 1100x4x8



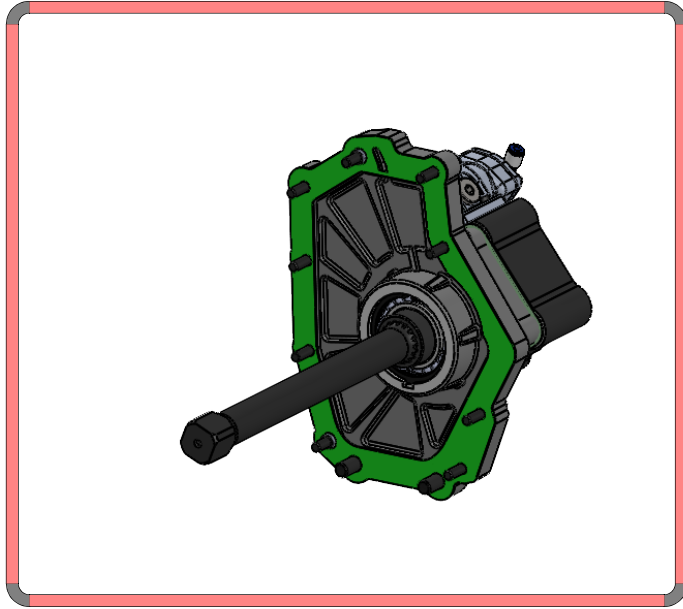
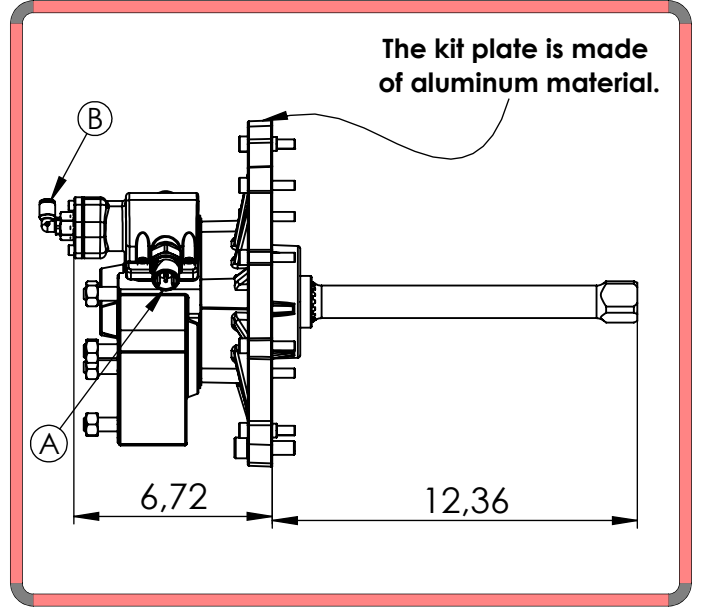
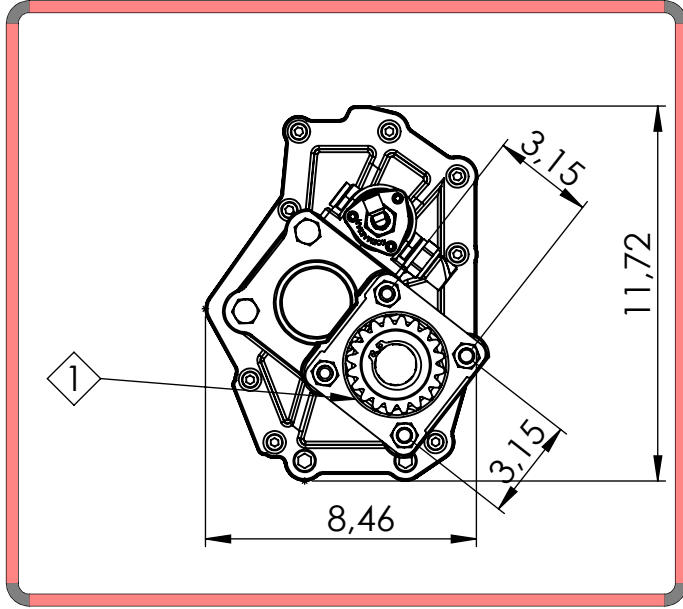
VEHICLE TYPE

Scania

TRANSMISSION CODE

G25CM-G33CM

This product is made to increase movement. PTO. PTO shaft moves from the main transmission and provides Motion transmission via a single axis. The incoming movement is transmitted to the PTO. PTO transmits the movement to the equipment used by the bodybuilder.



◇	ISO 4 Hole (DIN 5462) Output
A	Enabled-Disabled Sensor
B	Air Inlet

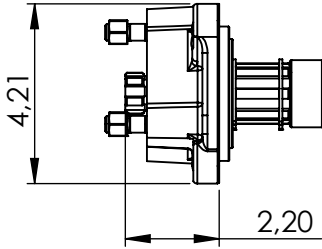
TECHNICAL VALUES

	MAX VALUES	RATIO	WORKING RPM RANGE (MAX)
◇	33 Kw - 315 Nm	1/1,2	

* Output Power ; The rpm and output power may vary. Contact Kozmaksan for exact working values.

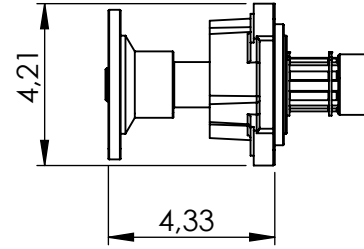
Optimum Working Temperature	25-80°C	WEIGHT	14 kg / 30,90 lb
Short-term Working Temperature	80-90°C	BODY MATERIAL	GE GJS-400-15 US 65-42-42 TR GGG-50
Risky Working Temperature	OVER 90°C	OIL TYPE & AMOUNT	-

Output Options



KIT.52.02.KF

Connection Type	ISO-->KF
Kw - Nm Values	23 Kw - 225 Nm



KIT.55.03.UF

Connection Type	ISO-->UF
Kw - Nm Values	32 Kw - 305 Nm

C06-045	C06-076	C06-082
ISO 7647-SAE 1300x4x10	ISO 7646- 100x6x8	ISO 7647-SAE 1100x4x8